

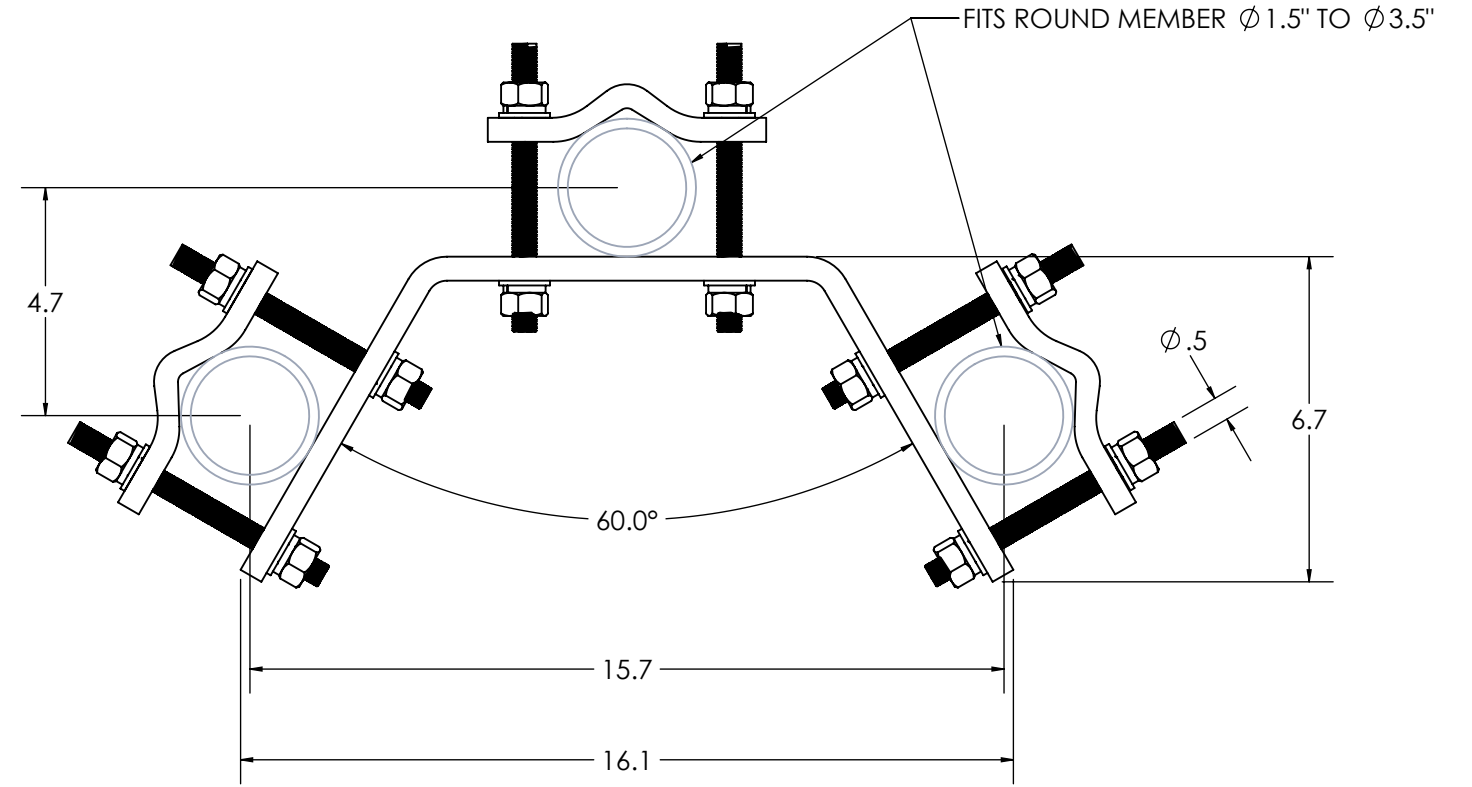
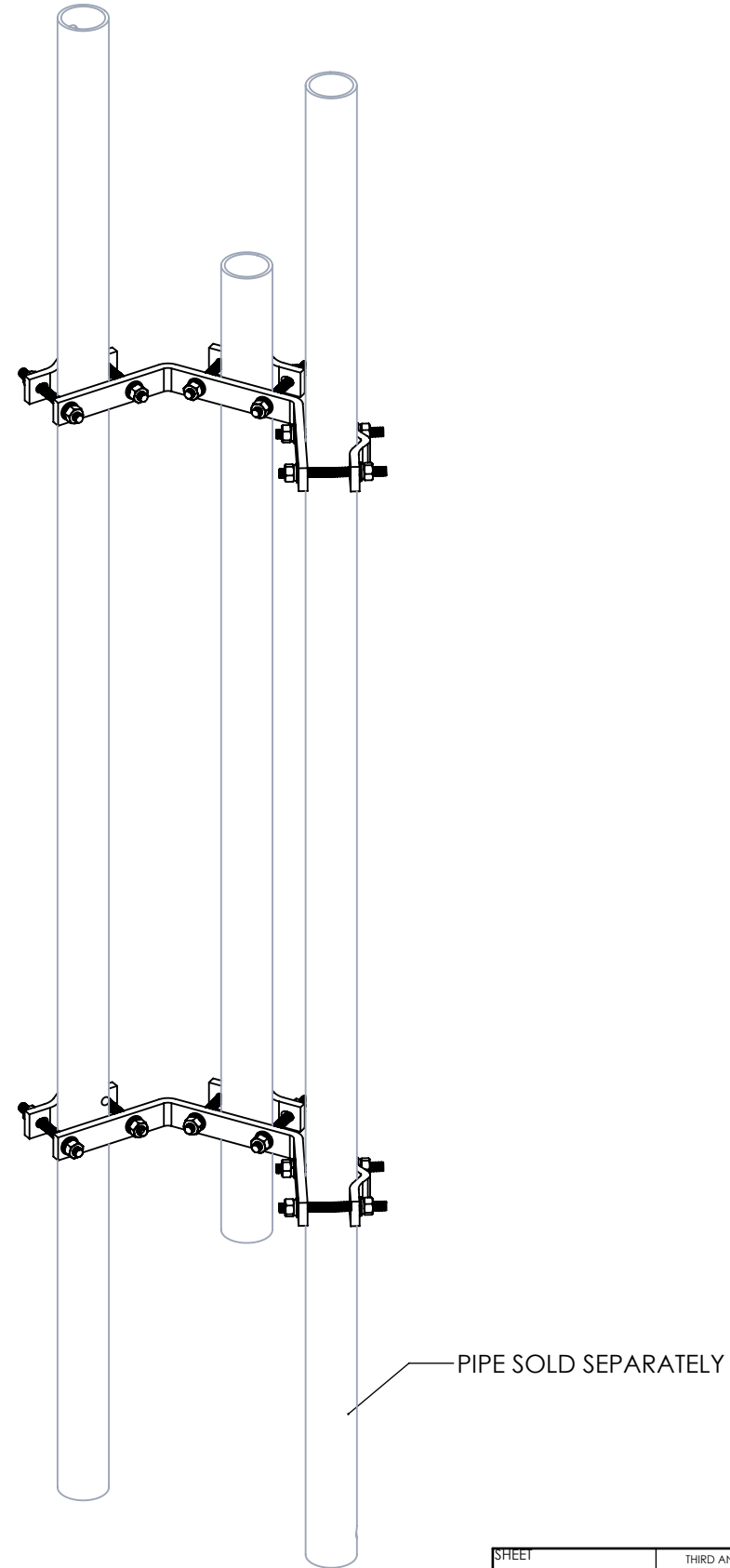
PV-DAPC-U

DUAL ANTENNA PIPE CLAMP

WEIGHT: 20 LBS

MATERIALS:

- PLATE: A36 HDG
- HARDWARE: A307 HDG



| | | | | |
|--|------------------------|-----------------|-------------------|------------------------------------|
| SHEET | THIRD ANGLE PROJECTION | CATEGORY | 4 | PERFECT VISION [®] |
| 1 OF 1 | | SERIES | 3 | |
| 7/7/2022 | SCALE 1:4 | TYPE | 2 | |
| DIMENSIONS ARE IN INCHES TOLERANCES U.N.O. HOLES: +1/16", -1/32" ANGULAR: PROFILE ±1/4°, BEND ±2° ALL OTHERS: ±1/16" | | BY DJN | 1 | |
| | | CHECKED SJS | 0 INITIAL RELEASE | 2/2/22 |
| | | STATUS APPROVED | REV | DATE |
| | | | | DOCUMENT NUMBER |
| | | | | DAPC-ENG-01-R1 |
| | | | | REV |
| | | | | 1 |

C:\PVM\Steel\Catalog\SW Working Files\Engineering Details\