

PV-LPP L.I.F.E. MOUNT™ SNUB NOSE LOW PROFILE PLATFORM

Table 1: Platform Configurations

Part Number	Description	Compatible Pole OD (in)	Weight (lbs)	Included Parts								
				PV-RM1045-GS	PV-RM3060-GS	PV-LPP8-01	PV-LPPH	PV-PHK9-B	PIPE-238X96	PIPE-238X126	PIPE-312X96	PIPE-312X126
PV-LPP8M-B	8' Face Platform	10 - 40	930	1	-	3	1	-	-	-	3	-
PV-LPP8M-HR-B	8' Face Platform w/ Horizontal Support Rail	10 - 40	1140	1	-	3	1	1	3	-	3	-
PV-LPP10M-B	10' Face Platform	10 - 45	990	1	-	3	1	-	-	-	3	-
PV-LPP10M-HR-B	10' Face Platform w/ Horizontal Support Rail	10 - 45	1220	1	-	3	1	1	-	3	-	3
PV-LPP10L-B	10' Face Platform, Large Pole	30 - 60	1050	-	1	3	1	-	-	-	3	-
PV-LPP10L-HR-B	10' Face Platform w/ H-S Rail, Large Pole	30 - 60	1280	-	1	3	1	1	-	3	-	3

PIPES:

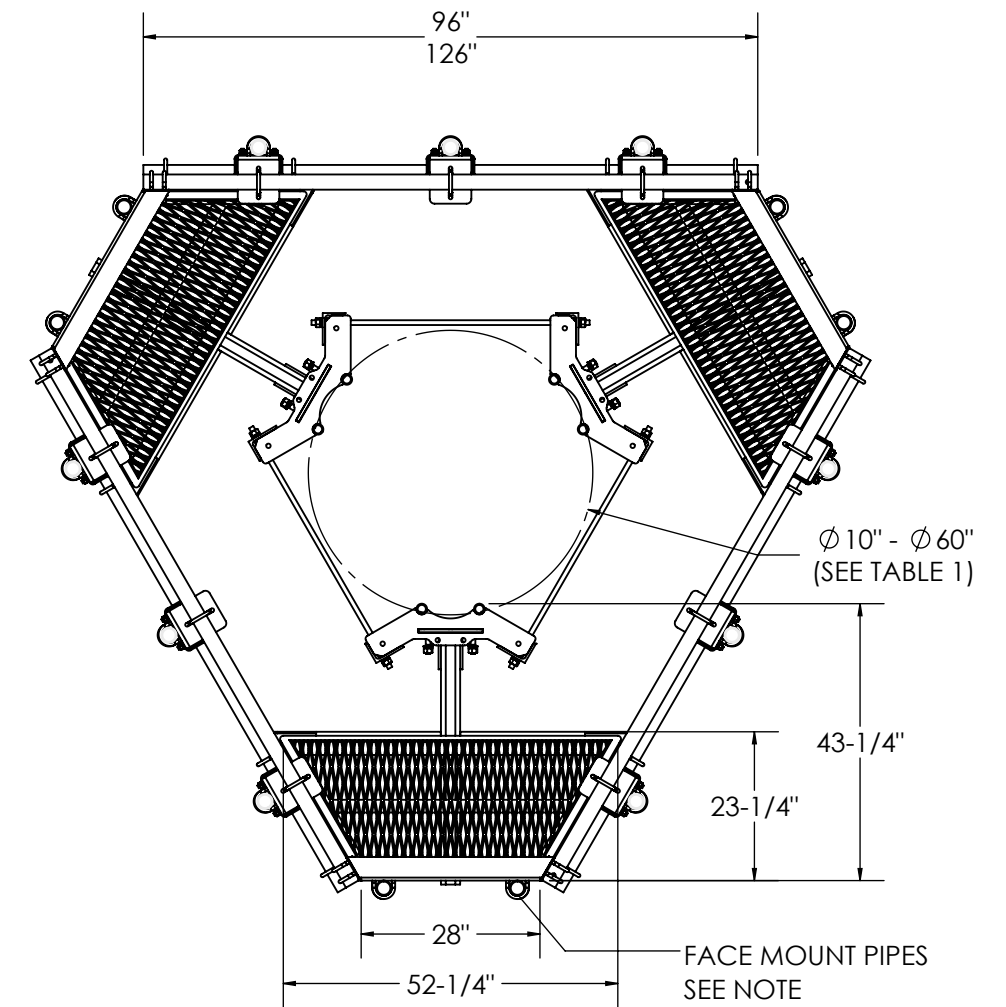
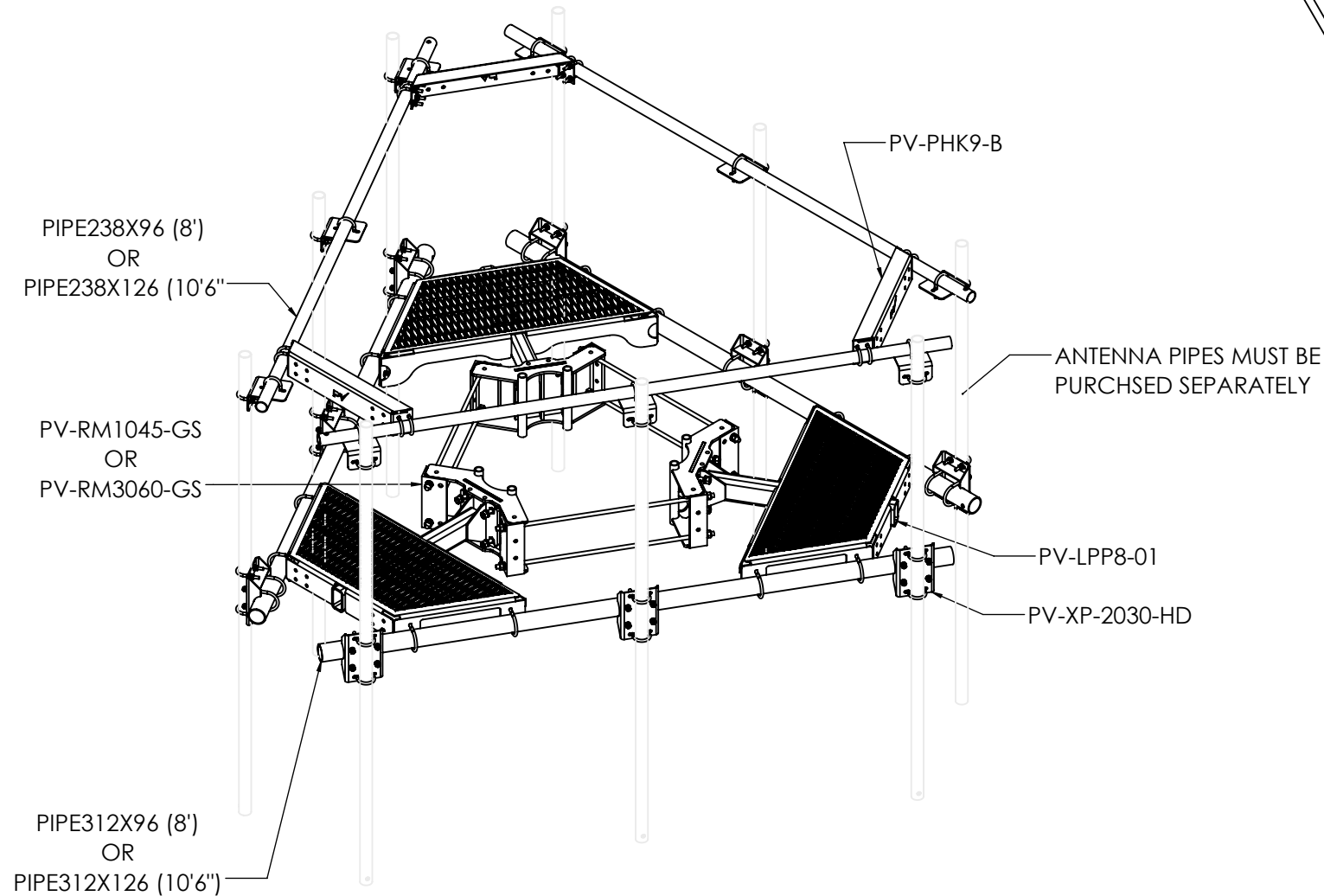
- \varnothing 2-3/8" OD (NPS 2 SCH 40)
- \varnothing 3-1/2" OD (NPS 3 SCH 40)
- A500 GR. C

HSS TUBES:

- 5" x 3" x 3/8" HSS
- A500 GR. B

HARDWARE:

- 1/2" x 2-9/16" x 4-1/2" x 2-1/2" U-BOLT HW KIT
- 1/2" x 3-9/16" x 5-1/2" x 2-1/2" U-BOLT HW KIT
- 3/4"-10 x 48" A193-B7 ALL THREAD HW KIT
- GALVANIZED



NOTE:

- U-BOLTS FOR FACE MOUNT PIPES NOT INCLUDED
- COMPATIBLE WITH 2-3/8" PIPE ONLY
- ORDER (4) PV-GUB-4240 PER PIPE



SHEET	THIRD ANGLE PROJECTION	CATEGORY	5	ADDITIONAL PAGE FOR WEIGHTS & EPA ADDED	2/16/22
1 OF 4		02_Monopole	5		
5/13/2022	SCALE 1:30	SERIES	4	UPDATE COLLARS TO GS SERIES	7/20/20
		01_Platform - Triangular	4		
		TYPE	3	E&O UPDATE, MATERIAL/PARTS LIST ADDED	5/11/20
		PV-LPP_Monopole Low Profile Platform	3		
		BY	2	UPDATED PIPE SPACING	3/13/18
		DJN	2		
		CHECKED	1	LOADING UPDATE	10/19/17
		SJS	1		
		STATUS	REV	DESCRIPTION	DATE
		APPROVED			

PERFECT VISION

SNUB NOSE LOW PROFILE PLATFORM

DOCUMENT NUMBER: LPP-ENG-02-R5

REV: 5

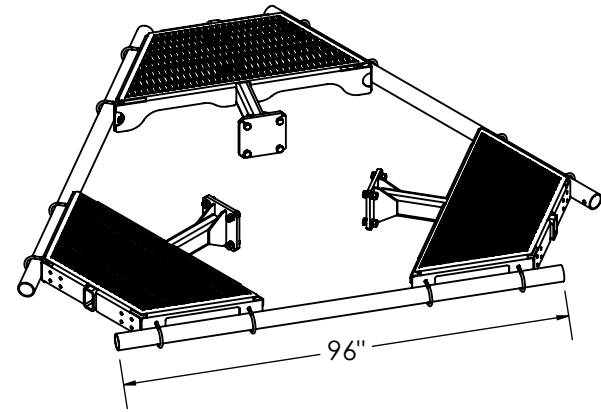
C:\PVS\Steel\Catalog\SW Working Files\Engineering Details\

WEIGHTS & EPA

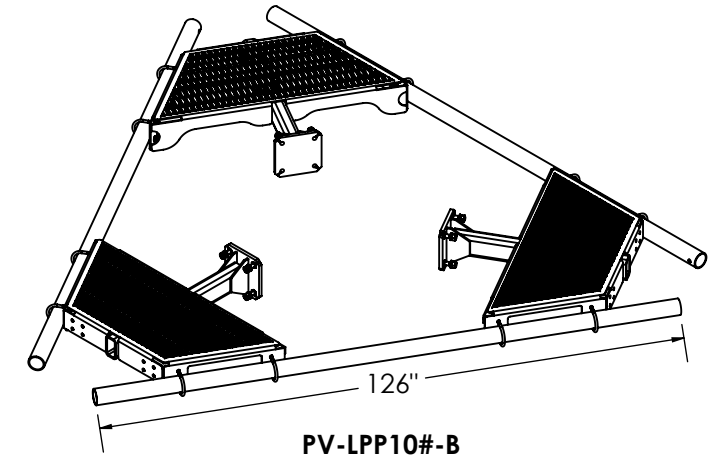
Part Number	Weight [lbs] per Radial Ice Thickness [in]						(EPA)A [sqft] per Radial Ice Thickness [in]					
	0	0.5	1	1.5	2	2.5	0	0.5	1	1.5	2	2.5
PV-LPP8M-B	930	1210	1520	1850	2210	3910	13.3	16.5	19.9	23.3	26.9	42.3
PV-LPP8M-HR-B	1140	1470	1830	2230	2680	4880	17.8	23.2	29.0	35.1	41.7	71.5
PV-LPP10M-B	990	1290	1620	1980	2370	4250	14.5	18.1	21.7	25.5	29.4	46.2
PV-LPP10M-HR-B	1220	1580	1980	2440	2940	5470	19.7	25.8	32.3	39.1	46.3	78.8
PV-LPP10L-B	1050	1350	1680	2040	2430	4310	14.5	18.1	21.7	25.5	29.4	46.2
PV-LPP10L-HR-B	1280	1640	2040	2500	3000	5530	19.7	25.8	32.3	39.1	46.3	78.8

* EPA(A) INCLUDES ALL STRUCTURAL MEMBERS INCLUDING CROSSOVER CONNECTIONS. IF DESIRED ADD ANTENNA PIPE PER TABLE 3.

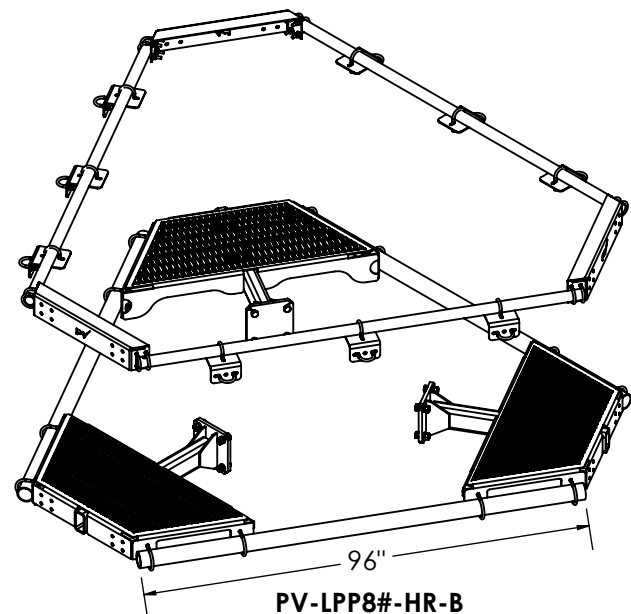
Size	(EPA)A (ft2)	(EPA)A 1/2" Radial Ice (ft2)
2-3/8" x 96"	1.5	2.2



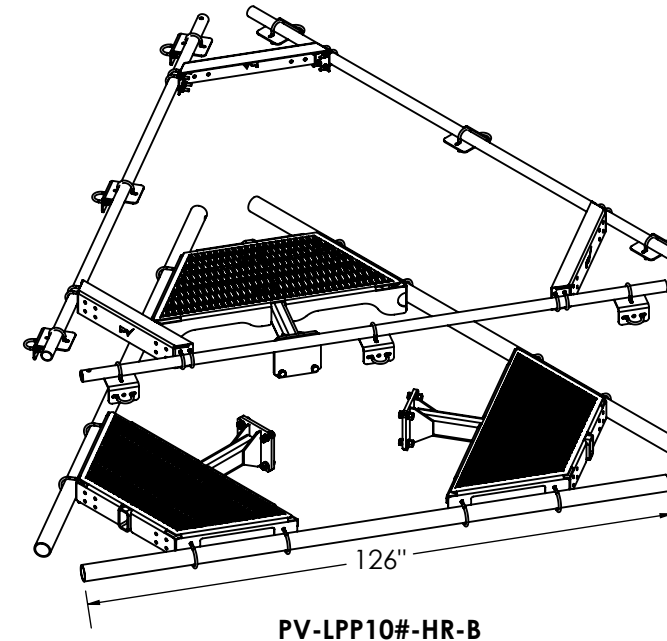
PV-LPP8#-B
COLLAR MOUNT DEPENDENT ON CONFIGURATION



PV-LPP10#-B
COLLAR MOUNT DEPENDENT ON CONFIGURATION



PV-LPP8#-HR-B
COLLAR MOUNT DEPENDENT ON CONFIGURATION



PV-LPP10#-HR-B
COLLAR MOUNT DEPENDENT ON CONFIGURATION



SHEET 2 OF 4	THIRD ANGLE PROJECTION 	CATEGORY 02_Monopole	5	ADDITIONAL PAGE FOR WEIGHTS & EPA ADDED	2/16/22
5/13/2022	SCALE 1:32	SERIES 01_Platform - Triangular	4	UPDATE COLLARS TO GS SERIES	7/20/20
DIMENSIONS ARE IN INCHES TOLERANCES U.N.O. HOLES: +1/16", -1/32" ANGULAR: PROFILE ±1/4°, BEND ±2° ALL OTHERS: ±1/16"		TYPE PV-LPP_Monopole Low Profile Platform	3	E&O UPDATE, MATERIAL/PARTS LIST ADDED	5/11/20
		BY DJN	2	UPDATED PIPE SPACING	3/13/18
		CHECKED SJS	1	LOADING UPDATE	10/19/17
		STATUS APPROVED	REV	DESCRIPTION	DATE

PERFECT VISION

SNUB NOSE LOW PROFILE PLATFORM

DOCUMENT NUMBER
LPP-ENG-02-R5

REV
5

C:\PVM\Steel\Catalog\SW Working Files\Engineering Details\

MOUNT CLASSIFICATIONS

MOUNT CLASSIFICATION INFORMATION

- **MAX STRUCTURE HEIGHT: 400ft**
- **STRUCTURE CLASS: I OR II**
- **EXPOSURE CATEGORY: B OR C**
- **TOPOGRAPHIC CATEGORY: 1**
- **DESIGN WIND PRESSURE (NO ICE): 135psf**
- **DESIGN WIND PRESSURE (ICED): 15psf**
- **DESIGN ICE THICKNESS: 2.75in Radial**

APPROVED MOUNTS:

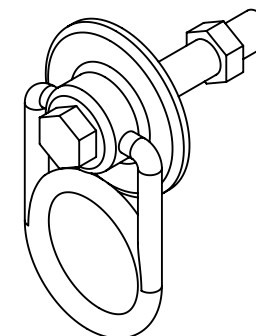
- PV-LPP8M-HR-B
- PV-LPP10M-HR-B
- PV-LPP10L-HR-B

APPROVED MOUNT CLASSIFICATIONS:

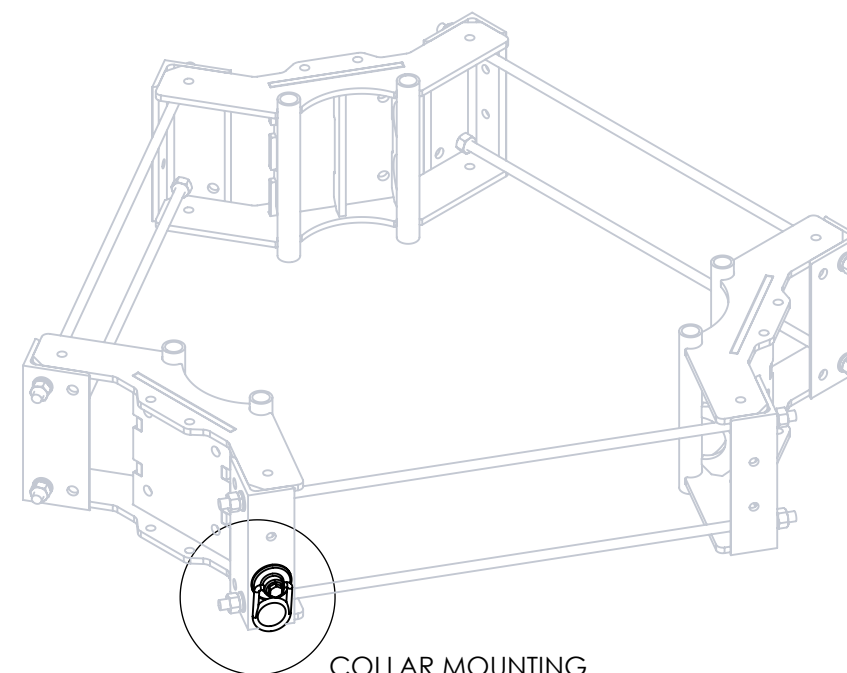
APPROVED MOUNT CLASSIFICATIONS						
		REQUIRED LOAD (LBS)				
		700	750	1150	1550	2050
REQUIRED ICE LOAD (LBS)	0	M700R(0)-3[6]	M750R(0)-3[6]	M1150R(0)-3[6]	M1550R(0)-3[6]	M2050R(0)-3[6]
	600	M700R(600)-3[6]	M750R(600)-3[6]	M1150R(600)-3[6]	M1550R(600)-3[6]	M2050R(600)-3[6]
	800	M700R(800)-3[6]	M750R(800)-3[6]	M1150R(800)-3[6]	M1550R(800)-3[6]	M2050R(800)-3[6]
	1100	M700R(1100)-3[6]	M750R(1100)-3[6]	M1150R(1100)-3[6]	M1550R(1100)-3[6]	M2050R(1100)-3[6]
	1350	M700R(1350)-3[6]	M750R(1350)-3[6]	M1150R(1350)-3[6]	M1550R(1350)-3[6]	M2050R(1350)-3[6]

PV-LPP-GS-ACC1

- 10K SWIVEL ATTACHMENT ACCESSORY
- (3) INCLUDED WITH ALL PV-LPPGS KITS, (1) INSTALLED PER SECTOR MAX
- MOUNT TO COLLAR



PV-GS-ACC1
10K SWIVEL ATTACHMENT ACCESSORY
(OPTIONAL ADD ON)



COLLAR MOUNTING

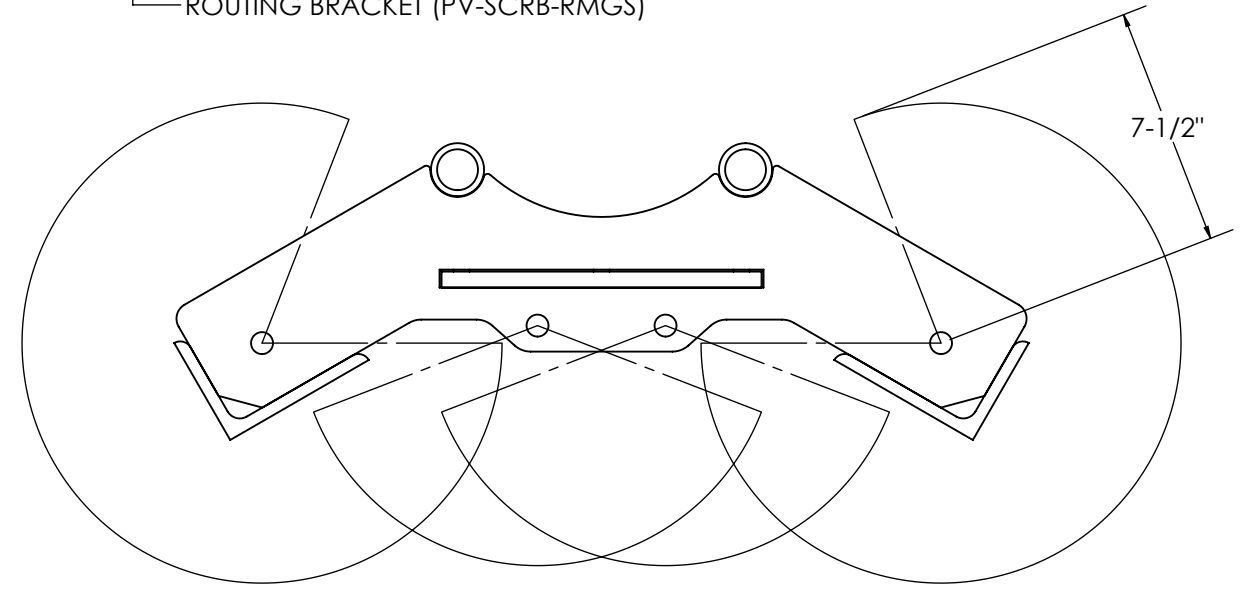
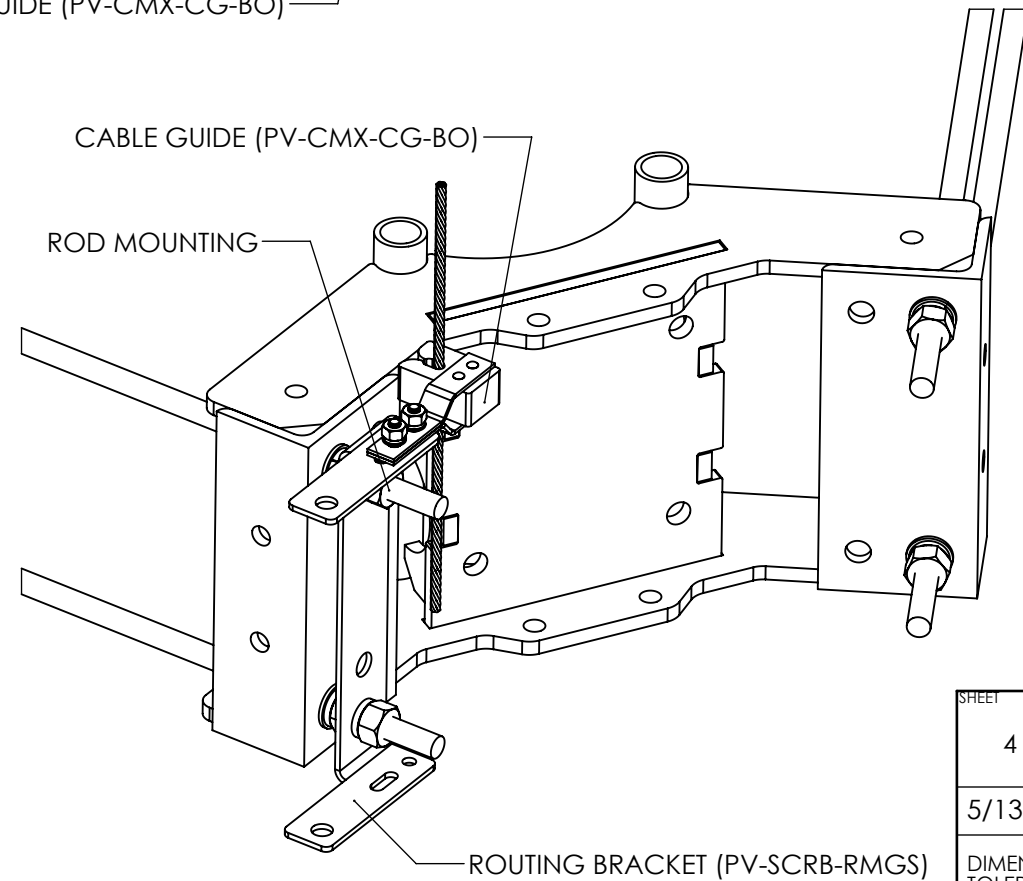
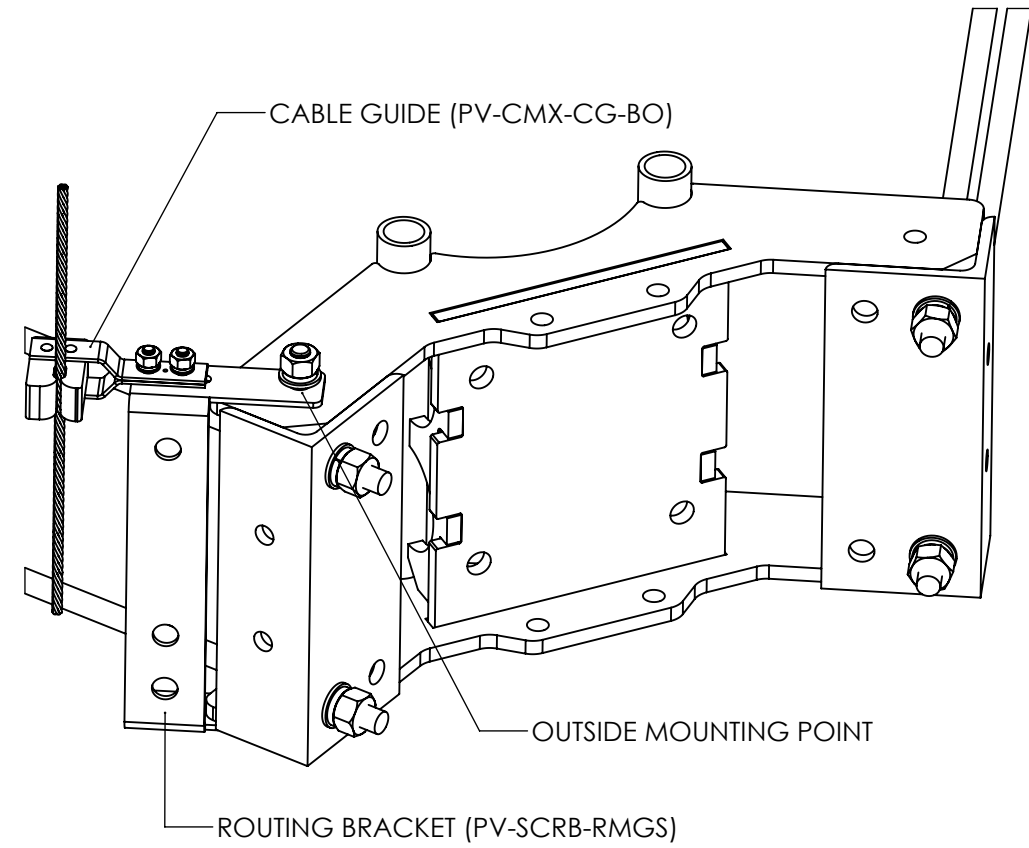
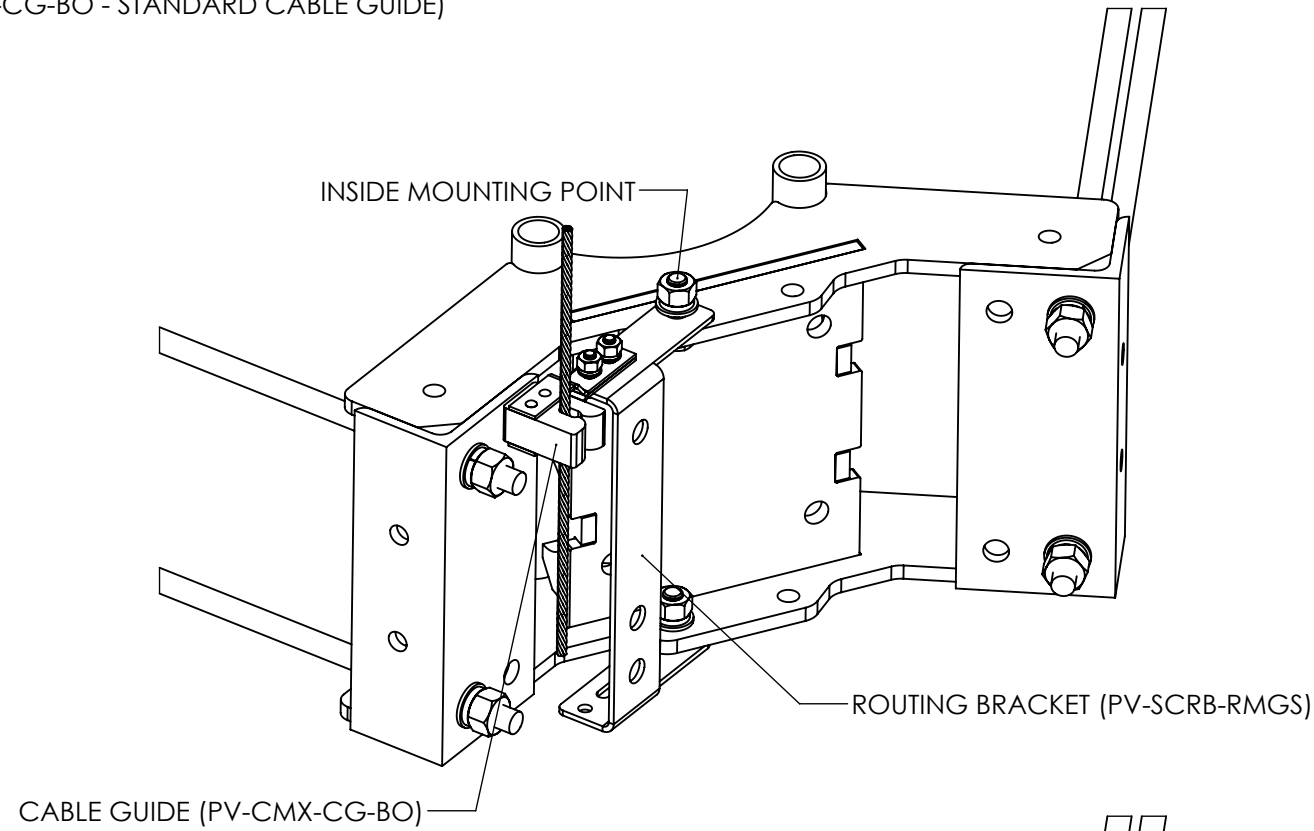


SHEET	THIRD ANGLE PROJECTION	CATEGORY	5	ADDITIONAL PAGE FOR WEIGHTS & EPA ADDED	2/16/22	
3 OF 4		SERIES	4	UPDATE COLLARS TO GS SERIES	7/20/20	
5/13/2022	SCALE 1:32	TYPE	3	E&O UPDATE, MATERIAL/PARTS LIST ADDED	5/11/20	
DIMENSIONS ARE IN INCHES TOLERANCES U.N.O. HOLES: +1/16", -1/32" ANGULAR: PROFILE ±1/4°, BEND ±2° ALL OTHERS: ±1/16"		BY	2	UPDATED PIPE SPACING	3/13/18	
		CHECKED	1	LOADING UPDATE	10/19/17	SNUB NOSE LOW PROFILE PLATFORM
		STATUS	REV	DESCRIPTION	DATE	DOCUMENT NUMBER
		APPROVED				LPP-ENG-02-R5
						REV
						5

C:\PVM\Steel\Catalog\SW Working Files\Engineering Details\

SAFETY CLIMB ROUTING (OPTIONAL ADD ON):

CABLE GUIDE AND BRACKET
(PV-SCRB-RMGS - SAFETY CLIMB ROUTING BRACKET)
(PV-CMX-CG-BO - STANDARD CABLE GUIDE)



CABLE GUIDE RANGE

SHEET 4 OF 4	THIRD ANGLE PROJECTION 	CATEGORY 02_Monopole	5	ADDITIONAL PAGE FOR WEIGHTS & EPA ADDED	2/16/22	PERFECT VISION [®]
5/13/2022	SCALE 1:36	SERIES 01_Platform - Triangular	4	UPDATE COLLARS TO GS SERIES	7/20/20	
DIMENSIONS ARE IN INCHES TOLERANCES U.N.O. HOLES: +1/16", -1/32" ANGULAR: PROFILE ±1/4°, BEND ±2° ALL OTHERS: ±1/16"		TYPE PV-LPP_Monopole Low Profile Platform	3	E&O UPDATE, MATERIAL/PARTS LIST ADDED	5/11/20	SNUB NOSE LOW PROFILE PLATFORM DOCUMENT NUMBER LPP-ENG-02-R5
		BY DJN	2	UPDATED PIPE SPACING	3/13/18	
		CHECKED SJS	1	LOADING UPDATE	10/19/17	REV 5
		STATUS APPROVED	REV	DESCRIPTION	DATE	

C:\PVM\Steel\Catalog\SW Working Files\Engineering Details\