

PV-S#

STANDOFF BRACKETS

Table 1: Configurations

Part Number	Standoff (in)	Weight (lbs)	Diagonal Brace
PV-S2	24	39.5	-
PV-S3	36	46.8	-
PV-S4	48	57.9	1
PV-S5	60	66.0	1
PV-S6	72	74.0	1

PIPES:

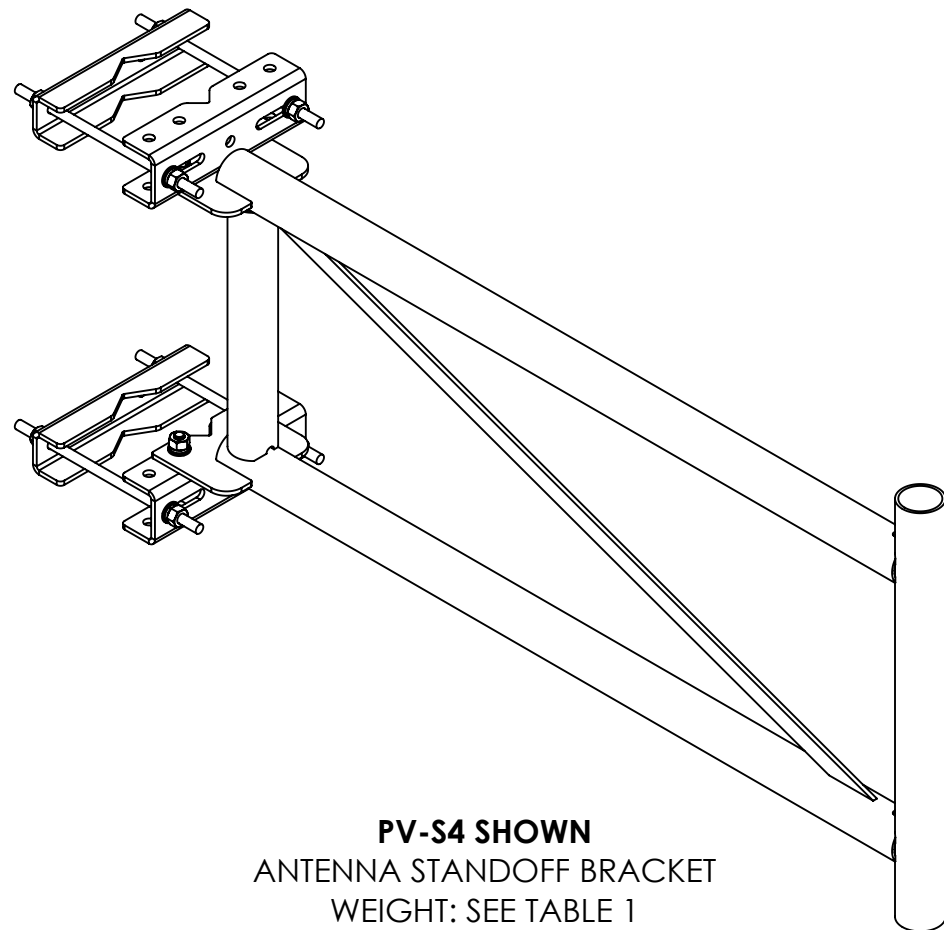
- ϕ 2-3/8" OD (NPS 2 SCH 40)
- A500 GR. C
- GALVANIZED

PLATES:

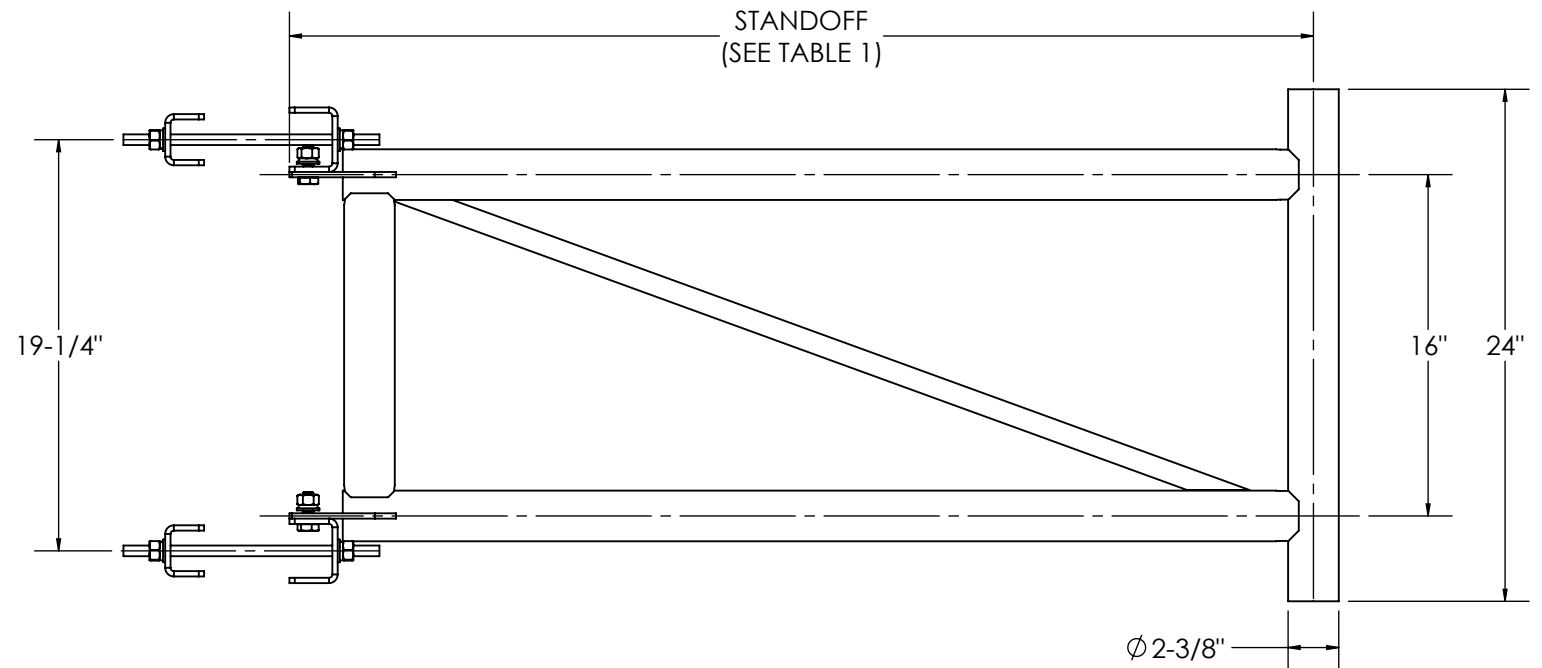
- A36 GALVANIZED

HARDWARE:

- 1/2" x 1-1/2" x 1" A325 BOLT HW KIT
- 1-1/2" x 12" GR. 36 ALL THREAD KIT
- GALVANIZED



PV-S4 SHOWN
ANTENNA STANDOFF BRACKET
WEIGHT: SEE TABLE 1



SHEET	THIRD ANGLE PROJECTION	CATEGORY	4		
1 OF 4		01_Lattice Tower			
		SERIES	3		
6/15/2020	SCALE 1:16	09_Standoffs			
		TYPE	2	UPDATE TO TEMPLATE, UPDATE E-DETAIL	6/12/20
		BY	1	HARDWARE UPDATE	6/03/16
		CHECKED	0	INITIAL RELEASE	9/04/15
		STATUS	REV	DESCRIPTION	DATE
DIMENSIONS ARE IN INCHES TOLERANCES U.N.O. HOLES: +1/16", -1/32" ANGULAR: PROFILE \pm 1/4°, BEND \pm 2° ALL OTHERS: \pm 1/16"		APPROVED			

PERFECT VISION

STANDOFF BRACKETS

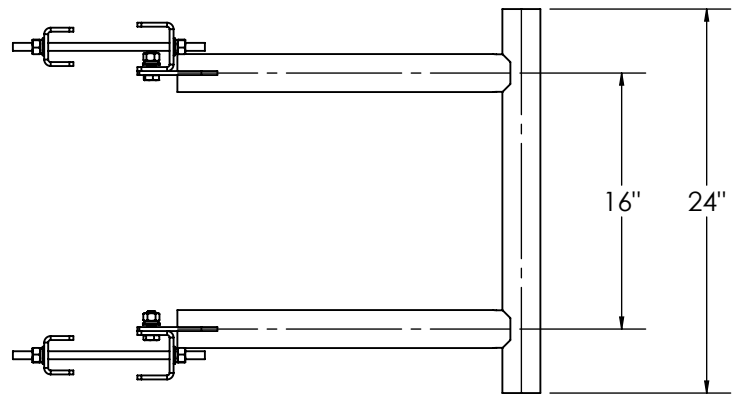
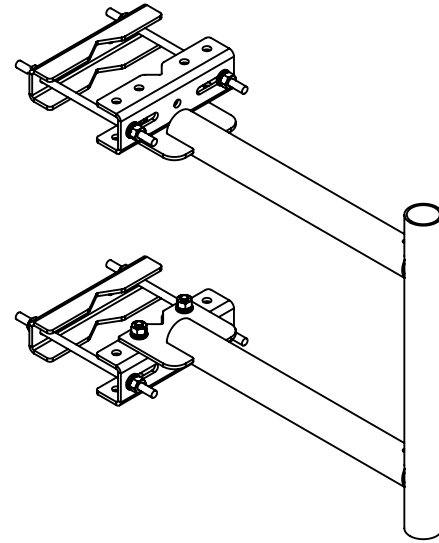
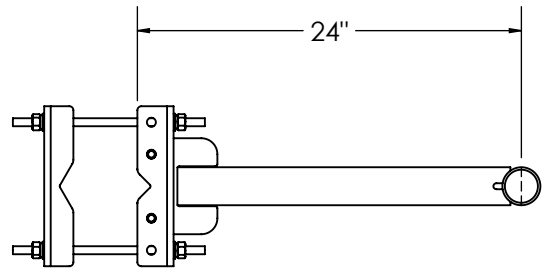
DOCUMENT NUMBER

S-ENG-01-R2

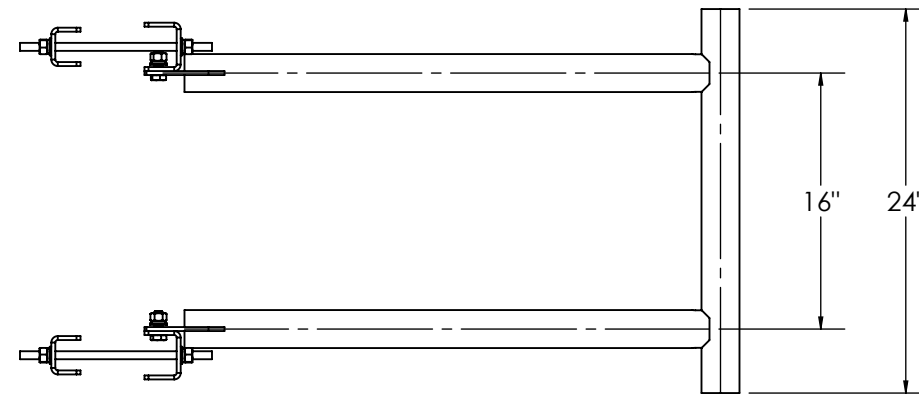
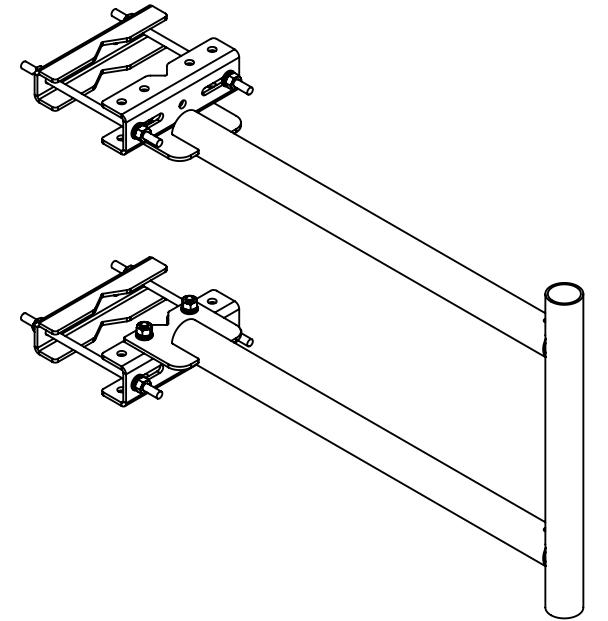
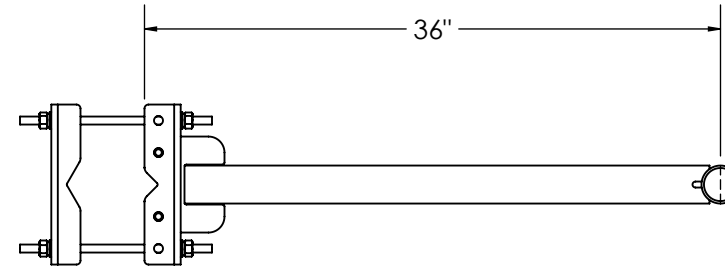
REV **2**

C:\PV\Steel\Catalog\SW Working Files\Engineering Details\

PV-S2



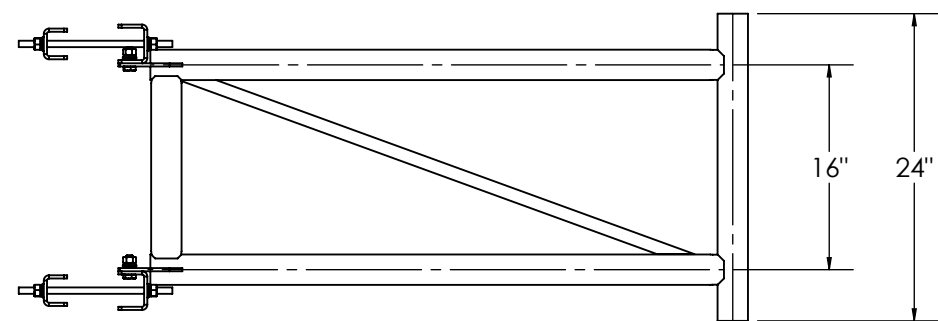
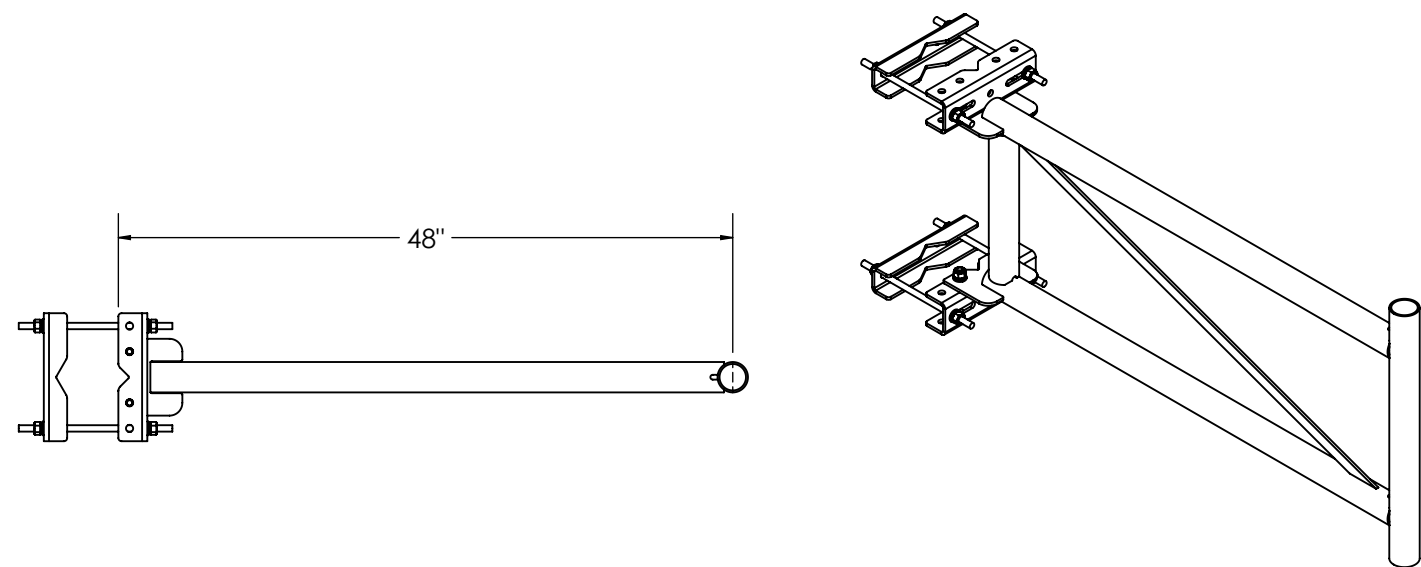
PV-S3



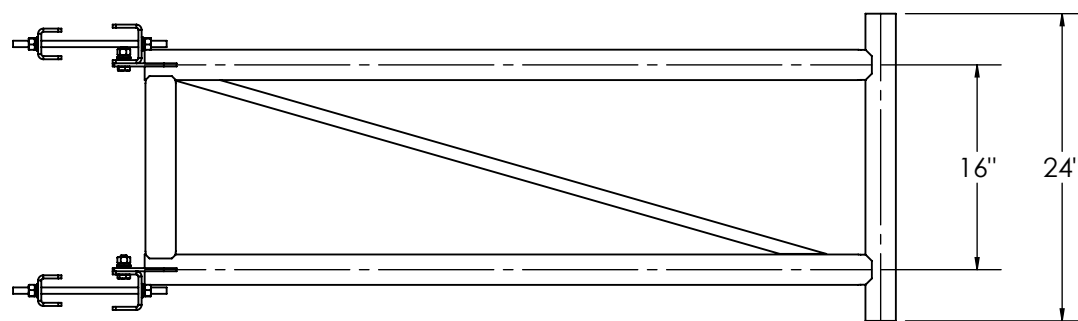
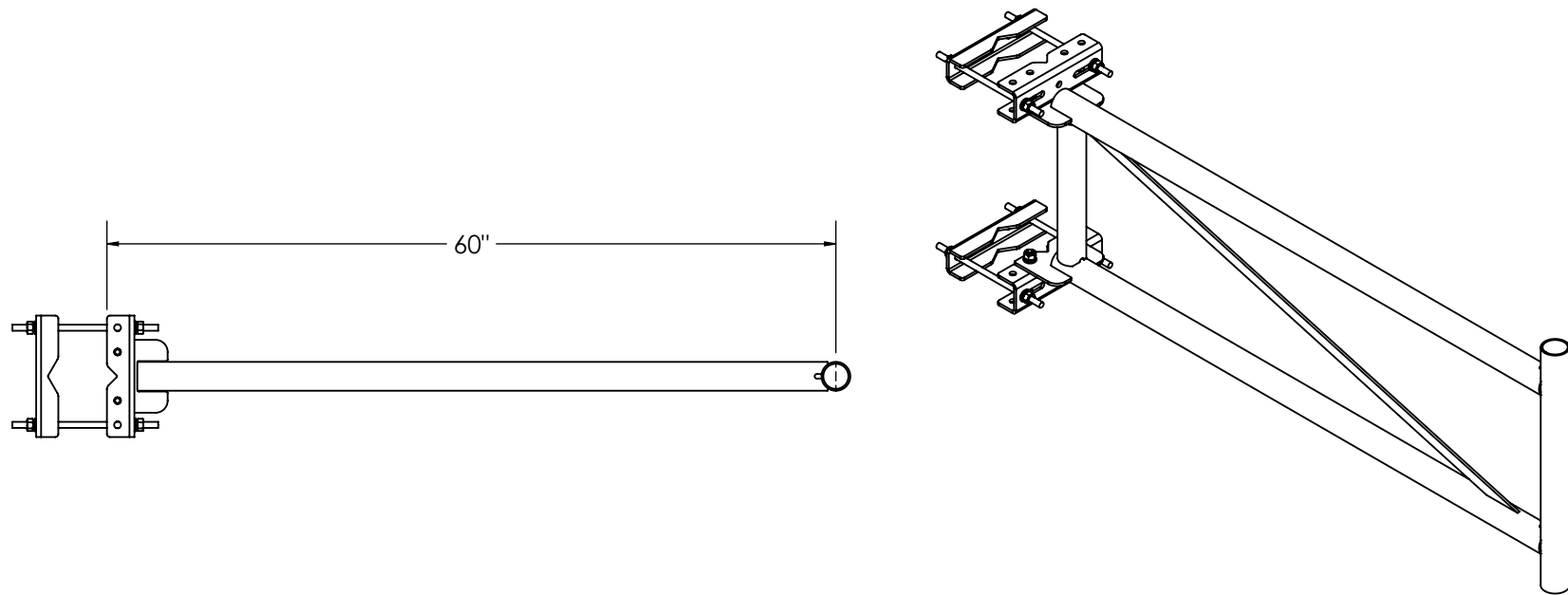
SHEET 2 OF 4	THIRD ANGLE PROJECTION 	CATEGORY 01_Lattice Tower	4			PERFECT VISION [®]
6/15/2020	SCALE 1:1	SERIES 09_Standoffs	3			
DIMENSIONS ARE IN INCHES TOLERANCES U.N.O. HOLES: +1/16", -1/32" ANGULAR: PROFILE ±1/4°, BEND ±2° ALL OTHERS: ±1/16"		TYPE PV-S_Standoff Brackets	2	UPDATE TO TEMPLATE, UPDATE E-DETAIL	6/12/20	STANDOFF BRACKETS
		BY INT	1	HARDWARE UPDATE	6/03/16	DOCUMENT NUMBER
		CHECKED	0	INITIAL RELEASE	9/04/15	S-ENG-01-R2
		STATUS APPROVED	REV	DESCRIPTION	DATE	
						REV 2

C:\PVM\Steel\Catalog\SW Working Files\Engineering Details\

PV-S4



PV-S5

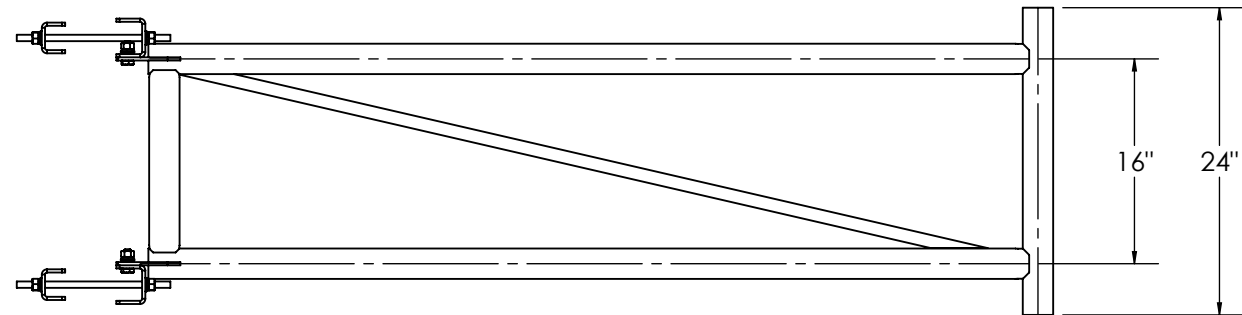
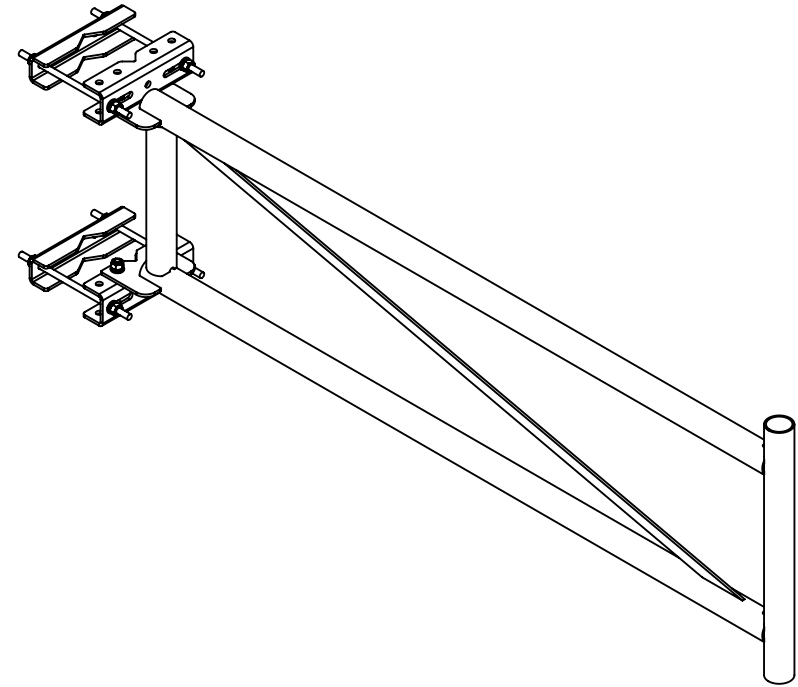
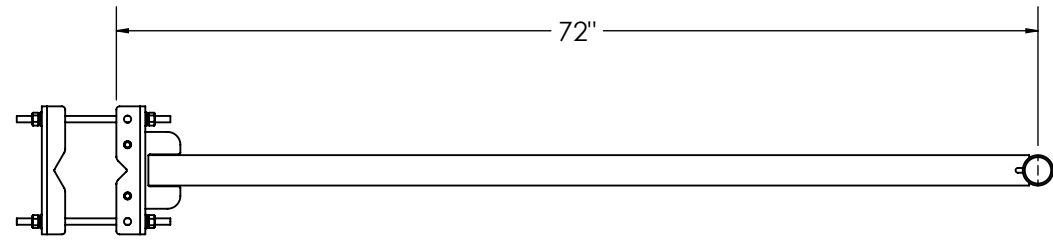


SHEET	THIRD ANGLE PROJECTION	CATEGORY				
3 OF 4		01_Lattice Tower	4			
		SERIES	09_Standoffs	3		
6/15/2020	SCALE 1:1	TYPE	PV-S_Standoff Brackets	2	UPDATE TO TEMPLATE, UPDATE E-DETAIL 6/12/20	
DIMENSIONS ARE IN INCHES TOLERANCES U.N.O. HOLES: +1/16", -1/32" ANGULAR: PROFILE ±1/4°, BEND ±2° ALL OTHERS: ±1/16"		BY	INT	1	HARDWARE UPDATE 6/03/16	
		CHECKED		0	INITIAL RELEASE 9/04/15	
		STATUS	APPROVED	REV	DESCRIPTION	DATE
					STANDOFF BRACKETS	
					DOCUMENT NUMBER	REV
					S-ENG-01-R2	2



C:\PVM\Steel\Catalog\SW Working Files\Engineering Details\

PV-S6



SHEET 4 OF 4	THIRD ANGLE PROJECTION 	CATEGORY	01_Lattice Tower	4		
		SERIES	09_Standoffs	3		
6/15/2020	SCALE 1:1	TYPE	PV-S_Standoff Brackets	2	UPDATE TO TEMPLATE, UPDATE E-DETAIL	6/12/20
DIMENSIONS ARE IN INCHES TOLERANCES U.N.O. HOLES: +1/16", -1/32" ANGULAR: PROFILE ±1/4°, BEND ±2° ALL OTHERS: ±1/16"		BY	INT	1	HARDWARE UPDATE	6/03/16
		CHECKED		0	INITIAL RELEASE	9/04/15
		STATUS	APPROVED	REV	DESCRIPTION	DATE
						STANDOFF BRACKETS
						DOCUMENT NUMBER
						S-ENG-01-R2
						REV
						2

C:\PVM\Steel\Catalog\SW Working Files\Engineering Details\